



Murtfeldt
Plastics



SOLUTIONS IN PLASTICS

CUSTOM FINISHED PRODUCTS | SEMI-FINISHED PRODUCTS | CHAIN GUIDES | CHAIN TENSIONERS



www.bogaert-transmission.com





View on products in our range Special customer-made

(Please consult us with drawings and samples)

This publication is protected by copyright and may not be reproduced in whole or in part without the prior, written permission of the manufacturer.

The technical specifications in this catalogue are subject to change without prior notice. We are not responsible for any printing errors or typing mistakes.

Vue sur les produits de notre gamme Fabrication spécifique clients

(Consultez-nous à base de plans et d'échantillons)

Cette publication est protégée par droit d'auteur et ne peut être reproduite en totalité ou partiellement, sans l'autorisation écrite préalable du fabricant.

Les spécifications techniques de ce catalogue, sont soumis à des changements, sans notification préalable. Nous ne sommes pas responsable pour des erreurs d'impression ou typographiques.

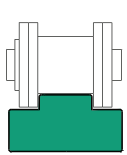


OVERVIEW OF CHAIN GUIDES

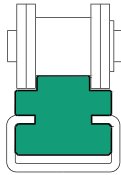
For roller chains (DIN 8187) and round link chains (DIN 766/764)

Murtfeldt offers an extensive standard range of guides for roller chains. We have a total of 20 different types of guide for roller chains and four for round link chains. You can also choose between our high-quality Original Material "S[®] Green and our more economical Material "S[®] 1000 Green.

Chain guides for roller chains as per DIN 8187 (DIN 8188 catalogue on request)



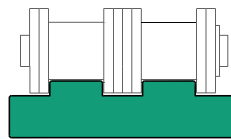
Type T - p.101



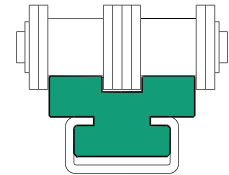
Type CT - p.102



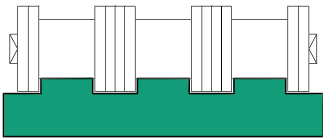
Type CF - p.103



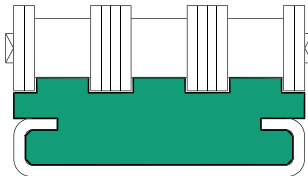
Type T-Duplex - p.104



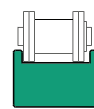
Type CT-Duplex - p.105



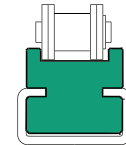
Type T-Triplex - p.106



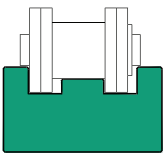
Type CT-Triplex - p.106



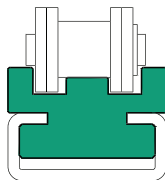
Type TU - p.107



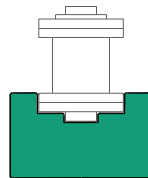
Type CTU - p.107



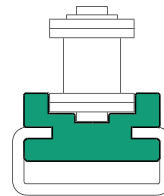
Type TS - p.108



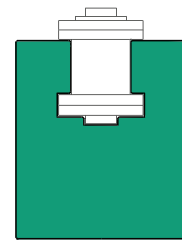
Type CTS - p.109



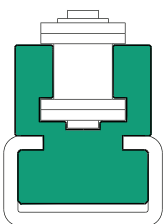
Type U - p.110



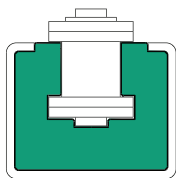
Type CU - p.111



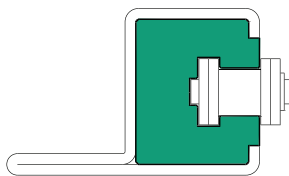
Type K - p.112



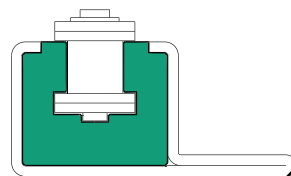
Type CK - p.113



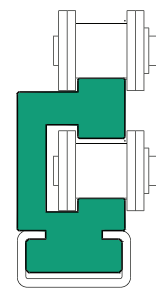
Type CKG - p.114



Type CKG 14H - p.115

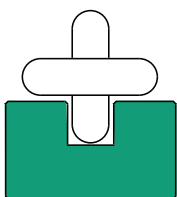


Type CKG 15V - p.116

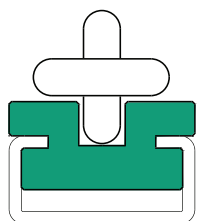


Type ETA - p.117

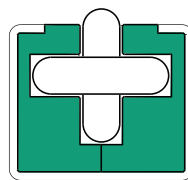
Chain guides for round link chains as per DIN 766/764



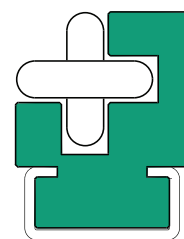
Type R - p.118



Type CRU - p.118



Type CRG - p.119

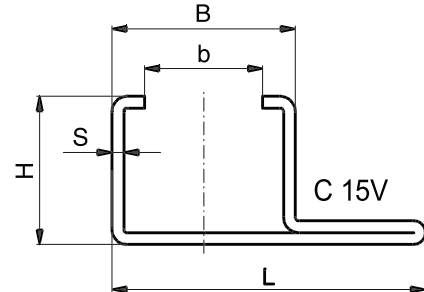
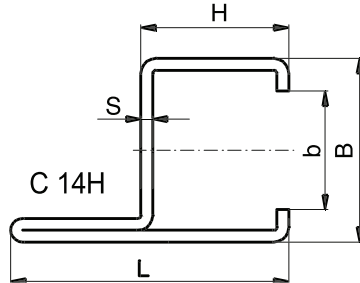
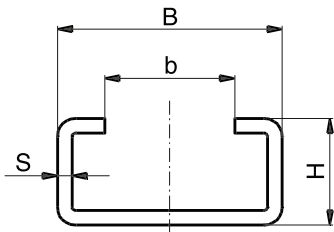


Type CRO - p.119

SELECTION TABLE

Galvanized, nongalvanized or stainless steel C profiles

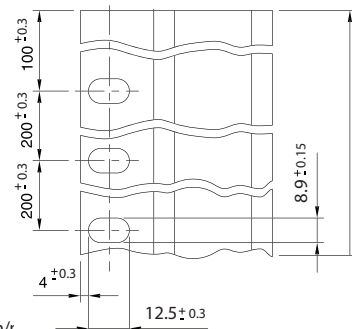
Profile C1 - C13



Profile No.	B	H	b	s	L	Lengt	Article no. galvanized	Article no. V2A	Article no. nongalvanized
C1	24	5.2	17.5	1	-	2000	351 020 001	351 020 101	
						3000	351 030 001	351 030 101	
						6000	351 060 001	351 060 101	
C3	20	10	10	1.5	-	2000	351 020 003	351 020 103	
						3000	351 030 003	351 030 103	
						6000	351 060 003	351 060 103	351 060 203
C4	50	10	35	2	-	2000	351 020 004	351 020 104	
						6000	351 060 004	351 060 104	
C5	28	12	14	2	-	2000	351 020 005	351 020 105	
						3000	351 030 005	351 030 105	
						6000	351 060 005	351 060 105	351 060 205
C6	80	10	65	2	-	2000	351 020 006	351 020 106	
						6000	351 060 006	351 060 106	
C7	28	16	14	2.5	-	2000	351 020 007	351 020 107	
						6000	351 060 007	351 060 107	351 060 207
C9	38	18	22	2.5	-	2000	351 020 009	351 020 109	
						3000	351 030 009	351 030 109	
						6000	351 060 009	351 060 109	351 060 209
C10	30	24	20	1.5	-	2000	351 020 010	351 020 110	
						6000	351 060 010	351 060 110	351 060 210
C11	45	40	31	2	-	2000	351 020 011	351 020 111	
						6000	351 060 011	351 060 111	351 060 211
C12	60	20	36	2.5	-	2000	351 020 012	351 020 112	
						6000	351 060 012	351 060 112	
C13	65	55	40	3	-	2000	351 020 013	351 020 113	
						6000	351 060 013	351 060 113	
C14 H	31	25	20	2	47	2000	351 020 014	351 020 114	
						3000	351 030 014	351 030 114	
						6000	351 060 014	351 060 114	
C15 V	31	25	20	2	53	2000	351 020 015	351 020 115	
						3000	351 030 015	351 030 115	
						6000	351 060 015	351 060 115	

Dimensions in mm

C14H and C15V steel profile with punch hole in mounting



Hole spacing aggregate tolerance: Max. 0.75mm/r

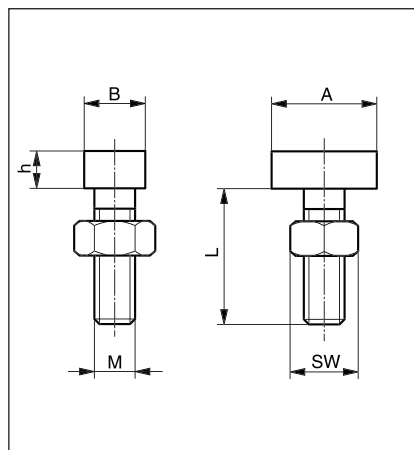
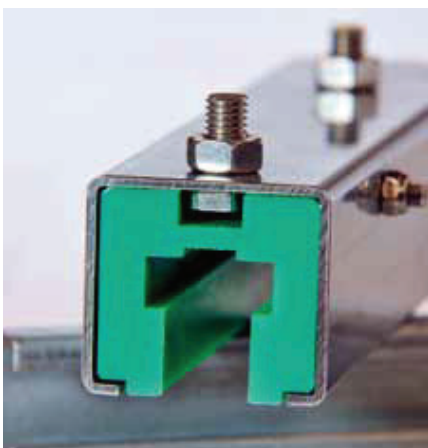


T-HEAD BOLTS

Galvanized/stainless steel

Thread (M x L)	Suitable for these steel C profiles	A in mm	B in m	h in mm	Material	Article no.	Type
M6x20	C1, C3, C4, C5, C6, C7, C9, C10, C11, C12, C13	18.0	9.5	4	galvanised	352010001	-
M6x20	C1, C4, C5, C6, C7, C9, C12	15.5	9.0	6	galvanised	352010005	20/12
M6x30	C1, C4, C5, C6, C7, C9, C12	15.5	9.0	6	galvanised	352010003	20/12
M6x40	C1, C4, C5, C6, C7, C9, C12	15.5	9.0	6	galvanised	352010004	20/12
M8x20	C4, C6, C7, C9, C12	15.5	9.0	6	galvanised	352010008	20/12
M8x30	C4, C6, C7, C9, C12	15.5	9.0	6	galvanised	352010006	20/12
M8x40	C4, C6, C7, C9, C12	15.5	9.0	6	galvanised	352010007	20/12
M8x20	C4, C6, C7, C9, C12	23.0	11.0	6	galvanised	352010011	28/15
M8x30	C4, C6, C7, C9, C12	23.0	11.0	6	galvanised	352010019	28/15
M8x40	C4, C6, C7, C9, C12	23.0	11.0	6	galvanised	352010014	28/15
M10x20	C4, C6, C7, C9, C11, C12, C13	23.0	11.0	7	galvanised	352010020	28/15
M10x30	C4, C6, C7, C9, C11, C12, C13	23.0	11.0	7	galvanised	352010012	28/15
M10x40	C4, C6, C7, C9, C11, C12, C13	23.0	11.0	7	galvanised	352010013	28/15
M10x20	C6, C9, C12	31.0	13.5	9	galvanised	352010015	38/17
M10x30	C6, C9, C12	31.0	13.5	9	galvanised	352010016	38/17
M12x40	C6, C11, C12, C13	31.0	13.5	9	galvanised	352010017	38/17
M6x20	C1, C3, C4, C5, C6, C7, C9, C10, C11, C12, C13	18.0	9.5	4	V2A	352010002	-
M8x20	C4, C6, C7, C9, C12	15.5	9.0	6	V2A	352010025	20/12
M8x30	C4, C6, C7, C9, C12	15.5	9.0	6	V2A	352010026	20/12

Please speak with our application technology department to determine the best T-head screw for your needs. We can provide the appropriate models including nuts for one-track and two-track connections.





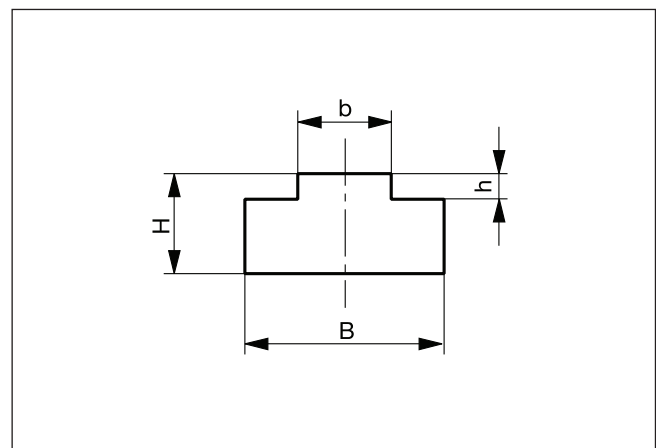
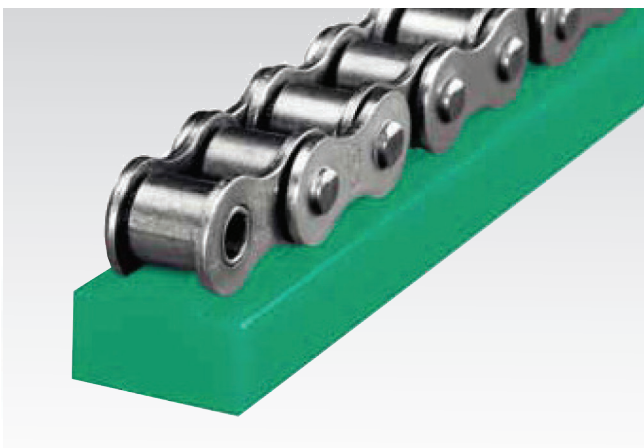
Chain Guides for Roller Chains as per DIN 8187

TYPE T



DIN 8187 chain no	Chain dimensions in inches	B	H	b	h	Article no.
06B-1	3/8" x 7/32"	15	10	5,4	1,5	221 010 002
083-1	1/2" x 3/16"	15	10	4,5	1,5	221 010 003
085-1	1/2" x 1/4"	20	10	6,2	2,2	221 010 004
08B-1	1/2" x 5/16"	20	10	7,4	2,2	221 010 005
08B-1	1/2" x 5/16"	20	15	7,4	2,2	221 010 006
08B-1	1/2" x 5/16"	20	20	7,4	2,2	221 010 007
08B-1	1/2" x 5/16"	20	30	7,4	2,2	221 010 008
-	5/8" x 1/4"	20	10	6,2	2,6	221 010 009
10B-1	5/8" x 3/8"	20	10	9,3	2,6	221 010 010
10B-1	5/8" x 3/8"	20	15	9,3	2,6	221 010 011
10B-1	5/8" x 3/8"	20	20	9,3	2,6	221 010 012
10B-1	5/8" x 3/8"	20	30	9,3	2,6	221 010 013
12B-1	3/4" x 7/16"	25	10	11,3	2,4	221 010 014
12B-1	3/4" x 7/16"	25	15	11,3	2,4	221 010 015
12B-1	3/4" x 7/16"	25	20	11,3	2,4	221 010 016
12B-1	3/4" x 7/16"	25	30	11,3	2,4	221 010 017
16B-1	1" x 17 mm	40	15	16,0	3,5	221 010 018
16B-1	1" x 17 mm	40	20	16,0	3,5	221 010 019
16B-1	1" x 17 mm	40	30	16,0	3,5	221 010 020
20B-1	1 1/4" x 3/4"	45	15	18,0	4,2	221 010 021
24B-1	1 1/2" x 1"	60	15	24,0	5,5	221 010 022
28B-1	1 3/4" x 31 mm	75	20	30,0	6,8	221 010 023
32B-1	2" x 31 mm	80	20	30,0	7,7	221 010 024

Dimensions in mm - Separate ASA/JIS product catalogue available.



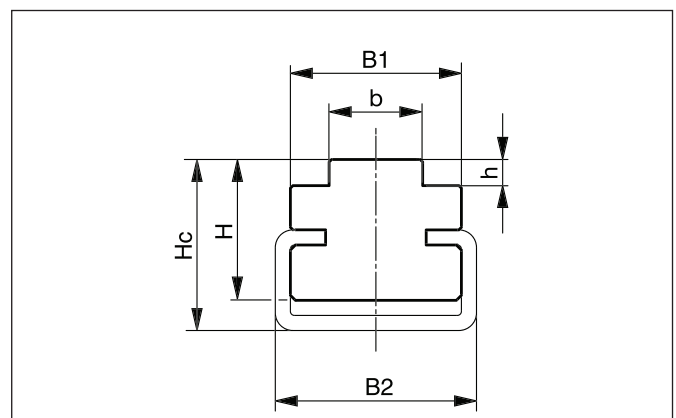
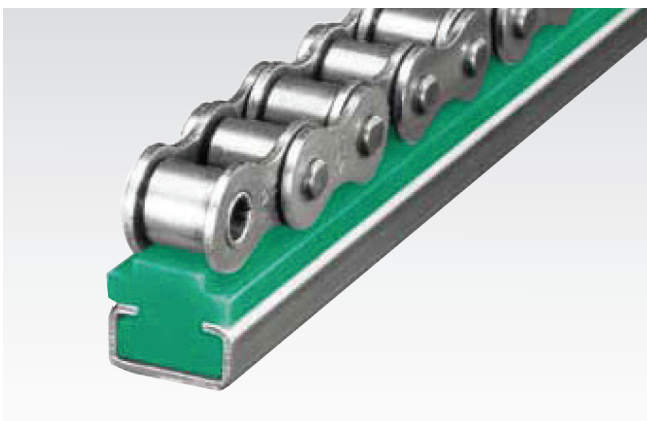


TYPE CT



DIN8187 chain no.	Chain dimensions in inches	C profile type	B1	B2	H	Hc	b	h	Article no.
06B-1	3/8" x 7/32"		17		14	17	5.4	1.5	221 210 015
		C3		20					351 020 003
083-1	1/2" x 3/16"		17		14	17	4.5	1.5	221 210 002
		C3		20					351 020 003
085-1	1/2" x 1/4"		17		14	17	6.2	2.2	221 210 003
		C3		20					351 020 003
08B-1	1/2" x 5/16"		20		10	11	7.4	2.2	221 210 001
		C1		24					351 020 001
08B-1	1/2" x 5/16"		17		14	17	7.4	2.2	221 210 004
		C3		20					351 020 003
-	5/8" x 1/4"		17		14	17	6.2	2.6	221 210 005
		C3		20					351 020 003
10B-1	5/8" x 3/8"		17		14	17	9.3	2.6	221 210 006
		C3		20					351 020 003
12B-1	3/4" x 7/16"		20		14	17	11.3	2.4	221 210 007
		C3		20					351 020 003
12B-1	3/4" x 7/16"		24		14	18	11.3	2.4	221 210 008
		C5		28					351 020 005
16B-1	1" x 17 mm		24		14	18	16	3.5	221 210 009
		C5		28					351 020 005
20B-1	1 1/4" x 3/4"		28		14	18	18	4.2	221 210 010
		C5		28					351 020 005
24B-1	1 1/2" x 1"		33		23	30	24	5.5	221 210 011
		C9		38					351 020 009
28B-1	1 3/4" x 31 mm		38		23	30	30	6.8	221 210 012
		C9		38					351 020 009
32B-1	2" x 31 mm		38		23	30	30	7.7	221 210 013
		C9		38					351 020 009
32B-1	2" x 31 mm		60		25	35	30	7.7	221 210 014
		C12		60					351 020 012

Dimensions in mm · Separate ASA/JIS product catalogue available.



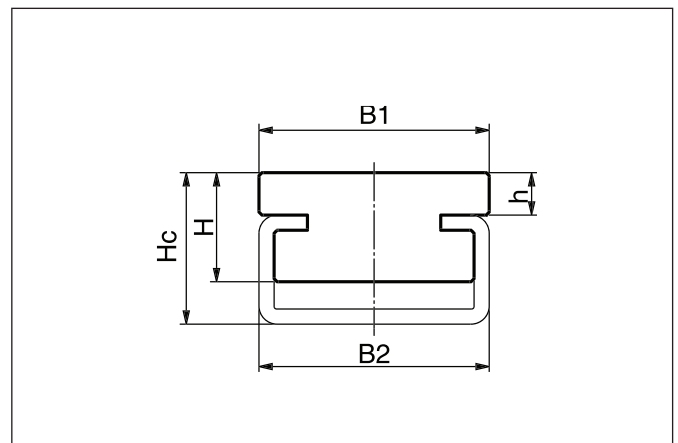
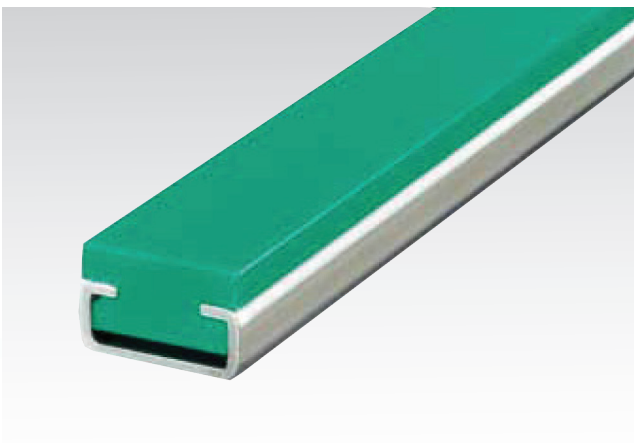


TYPE CF



Type	C profile type	B1	B2	H	Hc	h	Article no.
CF		20		5	6	1.0	211 010 001
	C1		24				351 020 001
CF		20		10	11	5.8	211 010 002
	C1		24				351 020 001
CF		20		10	14	4.0	211 010 003
	C3		20				351 020 003
CF		20		14	17	7.0	211 010 004
	C3		20				351 020 003
CF		20		16	20	10.0	211 010 005
	C3		20				351 020 003
CF		28		10	15	3.0	211 010 006
	C5		28				351 020 005
CF		28		14	18	6.0	211 010 007
	C5		28				351 020 005
CF		38		12	22	4.0	211 010 008
	C9		38				351 020 009
CF		38		18	25	7.0	211 010 009
	C9		38				351 020 009
CF		60		20	30	10.0	211 010 010
	C12		60				351 020 012
CF		50		18	20	10.0	211 010 011
	C4		50				351 020 004
CF		80		18	20	10.0	211 010 012
	C6		80				351 020 006

Dimensions in mm



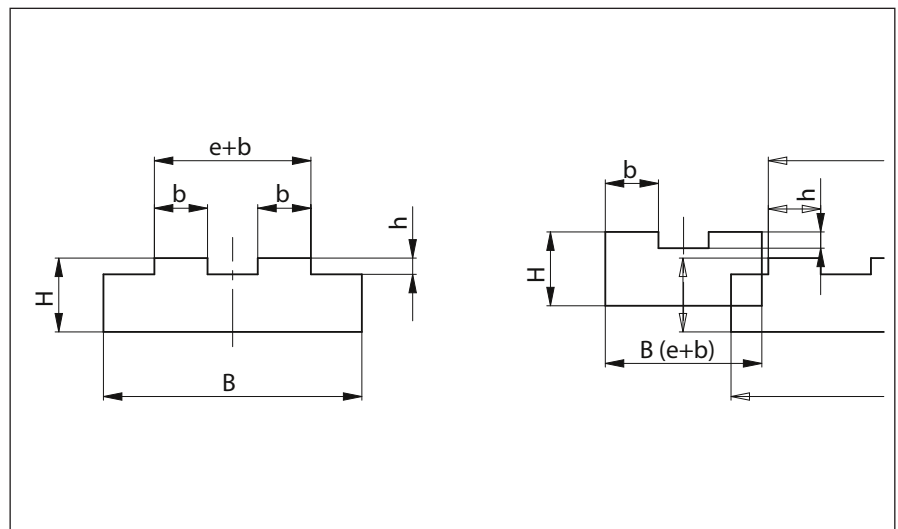
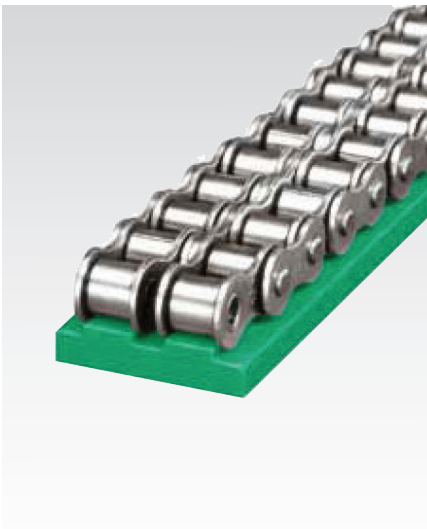


TYPE T-DUPLEX



DIN 8187 chain no.	Chain dimensions in inches	B	H	b	h	e+b	Article no.
06B-2	3/8" x 7/32"	25.0	10	5.3	1.5	15.6	221 010 025
08B-2	1/2" x 5/16"	35.0	10	7.2	2.2	21.2	221 010 026
08B-2	1/2" x 5/16"	35.0	15	7.2	2.2	21.2	221 010 027
08B-2	1/2" x 5/16"	35.0	20	7.2	2.2	21.2	221 010 028
08B-2	1/2" x 5/16"	35.0	30	7.2	2.2	21.2	221 010 029
10B-2	5/8" x 3/8"	40.0	10	9.0	2.6	25.6	221 010 030
12B-2	3/4" x 7/16"	45.0	15	10.9	2.4	30.4	221 010 031
12B-2	3/4" x 7/16"	45.0	10	10.9	2.4	30.4	221 010 032
16B-2	1" x 17 mm	47.8	15	15.8	3.5	47.8	221 010 033
20B-2	1 1/4" x 3/4"	54.7	15	18.2	4.2	54.7	221 010 034
24B-2	1 1/2" x 1"	72.0	20	23.6	5.5	72.0	221 010 035
28B-2	1 3/4" x 31 mm	88.4	25	28.8	6.8	88.4	221 010 036
32B-2	2" x 31 mm	87.4	30	28.8	7.7	87.4	221 010 037


Dimensions in mm - Separate ASA/JIS product catalogue available.



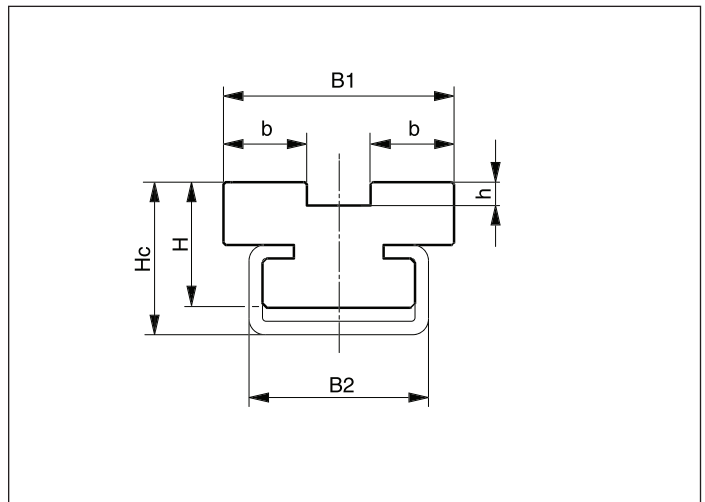
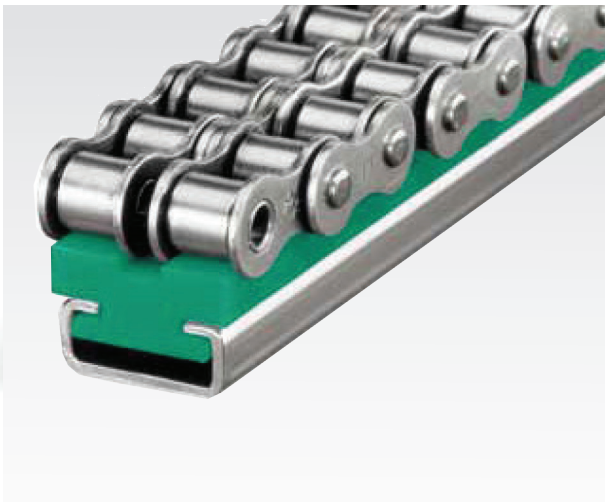


TYPE CT-DUPLEX



DIN8187 chain no.	Chain dimensions in inches	C profile type 	B1	B2	H	Hc	b	h	Article no.
06B-2	3/8" x 7/32"		15.6		14	17	5.3	1.5	221 210 022
		C3		20					351 020 003
08B-2	1/2" x 5/16"		21.2		14	17	7.2	2.2	221 210 016
		C3		20					351 020 003
10B-2	5/8" x 3/8"		25.6		14	17	9.0	2.6	221 210 017
		C3		20					351 020 003
12B-2	3/4" x 7/16"		30.4		15	20	10.9	2.4	221 210 018
		C5		28					351 020 005
16B-2	1" x 17 mm		47.8		20	27	15.8	3.5	221 210 019
		C9		38					351 020 009
20B-2	1 1/4" x 3/4"		54.7		22	30	18.2	4.2	221 210 020
		C12		60					351 020 012
24B-2	1 1/2" x 1"		72.0		25	35	23.6	5.5	221 210 021
		C12		60					351 020 012

Dimensions in mm - Separate ASA/JIS product catalogue available.





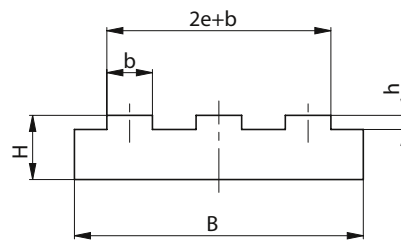
TYPE T-TRIPLEX



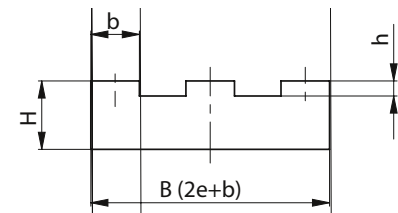
DIN8187 chain no.	Chain dimensions in inches	B	H	b	h	2e+b	Article no.
06B-3	3/8" x 7/32"	35.0	10	5.3	1.5	25.9	221 010 038
08B-3	1/2" x 5/16"	45.0	10	7.1	2.2	34.9	221 010 039
10B-3	5/8" x 3/8"	55.0	10	8.9	2.6	42.1	221 010 040
12B-3	3/4" x 7/16"	60.0	15	10.7	2.4	49.7	221 010 041
16B-3	1" x 17 mm	79.5	20	15.7	3.5	79.5	221 010 042
20B-3	1 1/4" x 3/4"	91.0	20	18.0	4.2	91.0	221 010 043
24B-3	1 1/2" x 1"	120.0	25	23.4	5.5	120.0	221 010 044

Dimensions in mm · Separate ASA/JIS product catalogue available.

From 06B-3 to 12B-3



From 16B-3 to 24B-3

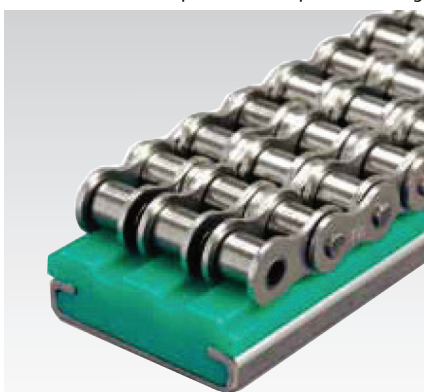


TYPE CT-TRIPLEX

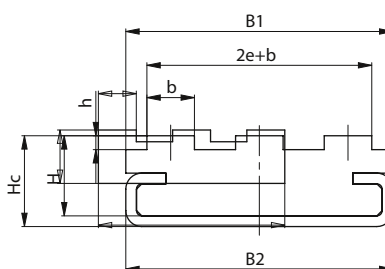


DIN8187 chain no.	Chain dimensions in inches	C profile type	B1	B2	H	Hc	b	h	2e+b	Article no.
06B-3	3/8" x 7/32"	C5	30.0		15	20	5.3	1.5	25.9	221 210 023
				28						351 020 005
08B-3	1/2" x 5/16"	C5	34.9		15	20	7.1	2.2	34.9	221 210 024
				28						351 020 005
10B-3	5/8" x 3/8"	C4	50.0		15	17	8.9	2.6	42.1	221 210 025
				50						351 020 004
12B-3	3/4" x 7/16"	C4	49.7		18	20	10.7	2.4	49.7	221 210 026
				50						351 020 004
16B-3	1" x 17 mm	C6	79.5		20	22	15.7	3.5	79.5	221 210 027
				80						351 020 006
20B-3	1 1/4" x 3/4"	C6	91.0		20	22	18.0	4.2	91.0	221 210 028
				80						351 020 006

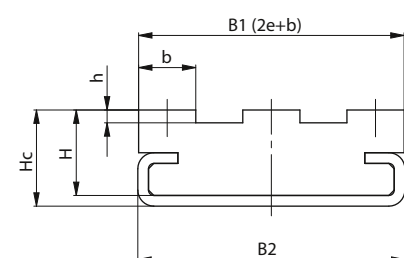
Dimensions in mm · Separate ASA/JIS product catalogue available.



From 06B-3 to 10B-3



From 12B-3 to 20B-3



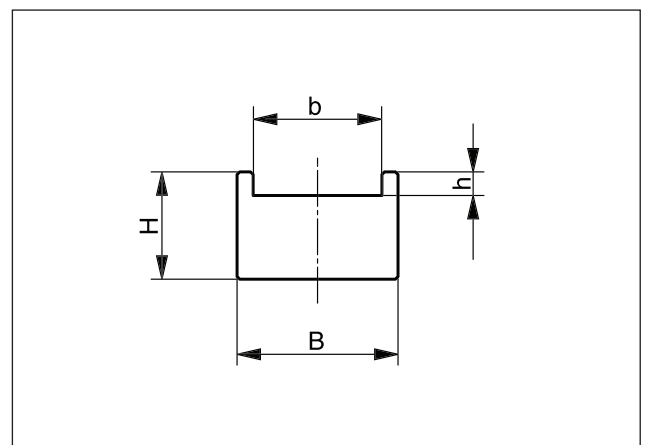
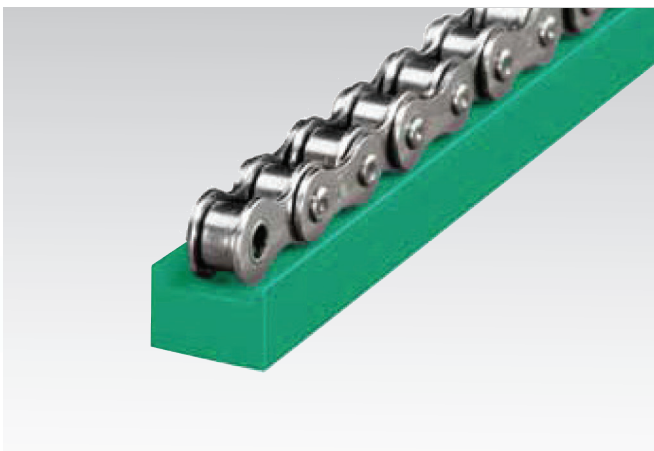


TYPE TU



DIN8187 chain no.	Chain dimensions in inches	B	H	b	h	Article no.
-	3/8" x 5/32"	15	10	12	2.2	221 110 010
083-1	1/2" x 3/16"	15	10	12	2.2	221 110 011

Dimensions in mm · Separate ASA/JIS product catalogue available.

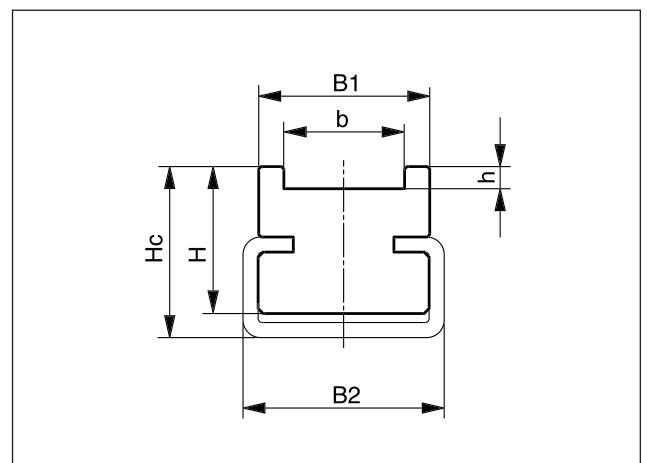
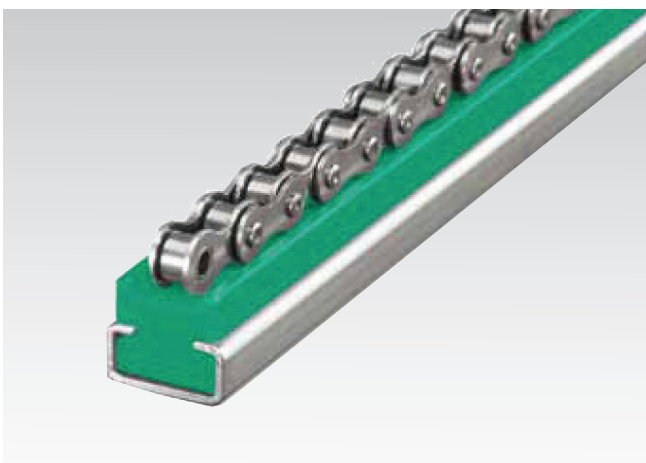


TYPE CTU



DIN8187 chain no.	Chain dimensions in inches	C profile type	B1	B2	H	Hc	b	h	Article no.
-	3/8" x 5/32"	C3	17		14	17	12	2.2	221 310 010
				20					351 020 003
083-1	1/2" x 3/16"	C3	17		14	17	12	2.2	221 310 010
				20					351 020 003

Dimensions in mm · Separate ASA/JIS product catalogue available.



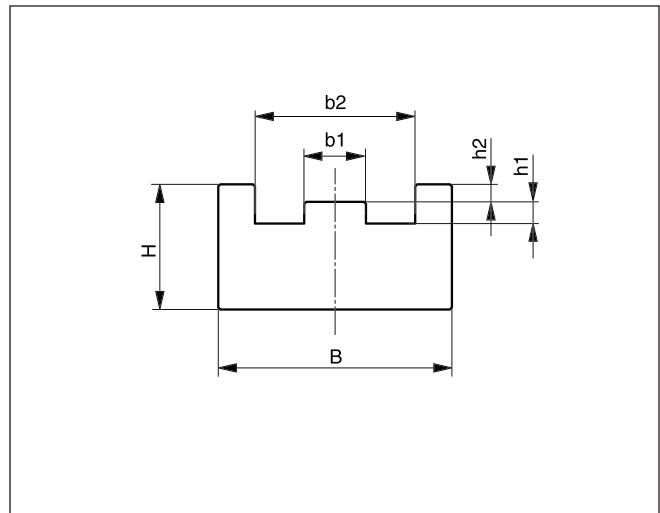
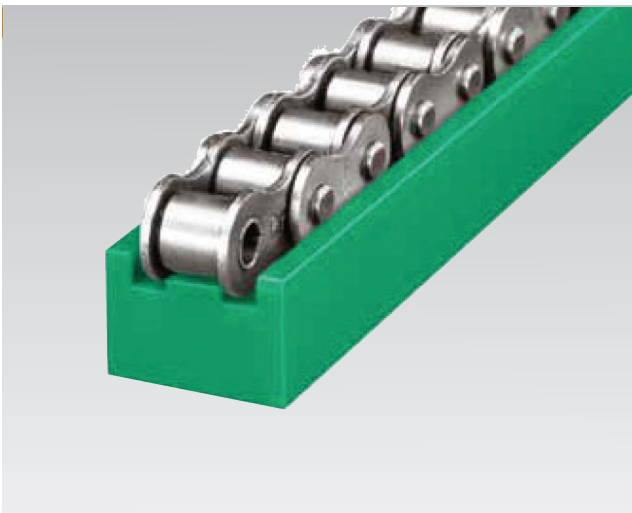


TYPE TS



DIN 8187 chain no.	Chain dimensions in inches	B	H	b1	b2	h1	h2	Article no.
06B-1	3/8" x 7/32"	20	10	3.8	13.0	1.5	1.1	221 110 001
083-1	1/2" x 3/16"	20	10	3.0	12.4	1.6	1.4	221 110 002
085-1	1/2" x 1/4"	22	10	4.5	15.1	2.2	1.6	221 110 003
08B-1	1/2" x 5/16"	25	15	5.7	16.3	2.2	1.6	221 110 004
-	5/8" x 1/4"	25	15	4.1	16.1	2.6	2.1	221 110 005
10B-1	5/8" x 3/8"	28	15	7.4	19.2	2.6	2.1	221 110 006
12B-1	3/4" x 7/16"	30	20	9.2	21.8	2.4	2.8	221 110 007
16B-1	1" x 17 mm	42	25	15.0	35.0	3.5	3.3	221 110 008
20B-1	1 1/4" x 3/4"	50	25	16.8	40.0	4.2	4.0	221 110 009


Dimensions in mm · Separate ASA/JIS product catalogue available.



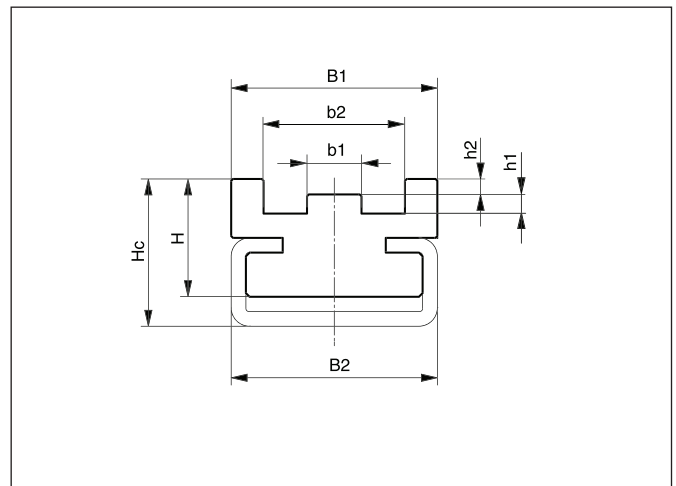
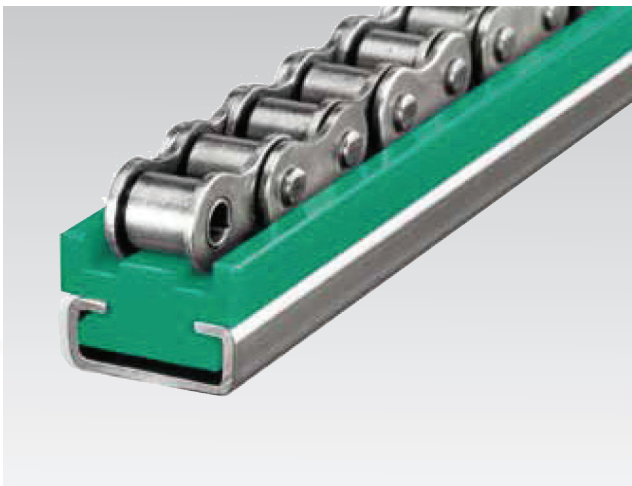


TYPE CTS



DIN8187 chain no.	Chain dimensions in inches	C profile type 	B1	B2	H	Hc	b1	b2	h1	h2	Article no.
06B-1	3/8" x 7/32"		20		14	17	3.8	13.0	1.5	1.1	221 310 001
		C3		20							351 020 003
083-1	1/2" x 3/16"		20		14	17	3.0	12.4	1.6	1.4	221 310 002
		C3		20							351 020 003
085-1	1/2" x 1/4"		22		14	17	4.5	15.1	2.2	1.6	221 310 003
		C3		20							351 020 003
08B-1	1/2" x 5/16"		25		16	20	5.7	16.3	2.2	1.6	221 310 004
		C3		20							351 020 003
-	5/8" x 1/4"		25		16	20	4.1	16.1	2.6	2.1	221 310 005
		C3		20							351 020 003
10B-1	5/8" x 3/8"		28		16	20	7.4	19.2	2.6	2.1	221 310 006
		C5		28							351 020 005
12B-1	3/4" x 7/16"		30		18	22	9.2	21.8	2.4	2.8	221 310 007
		C5		28							351 020 005
16B-1	1" x 17 mm		42		25	30	15.0	35.0	3.5	3.3	221 310 008
		C9		38							351 020 009
20B-1	1 1/4" x 3/4"		50		30	35	16.8	40.0	4.2	4.0	221 310 009
		C9		38							351 020 009

Dimensions in mm · Separate ASA/JIS product catalogue available.



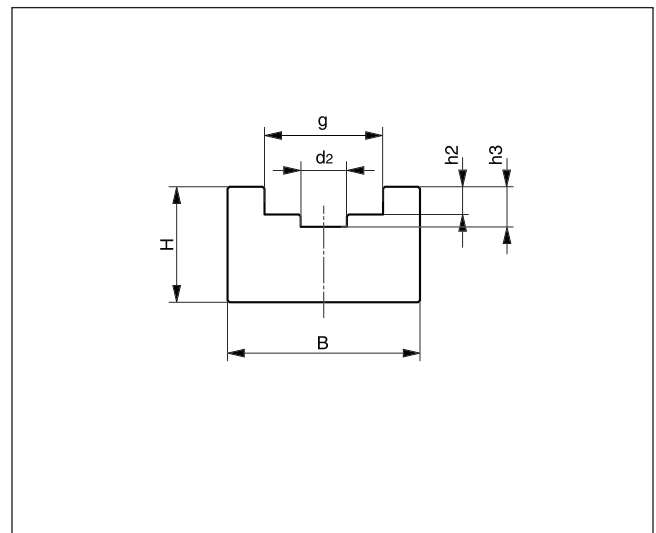
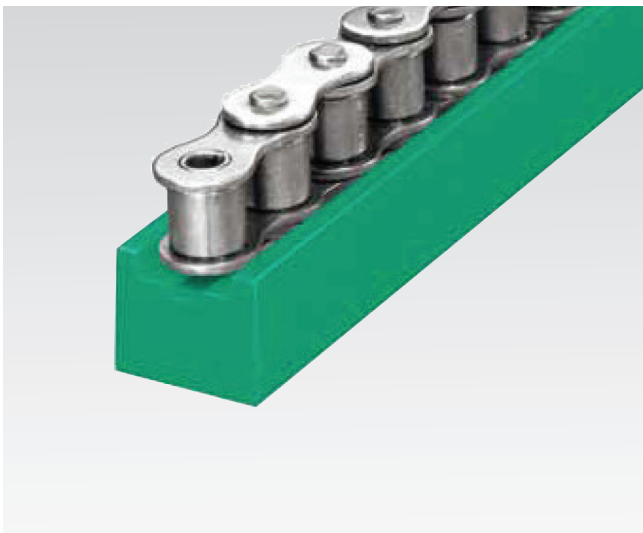


TYPE U



DIN8187 chain no.	Chain dimensions in inches	B	H	d2	g	h2	h3	Article no.
-	3/8" x 5/32"	20	15	4	9.4	2.8	4.2	221 110 012
06B-1	3/8" x 7/32"	20	15	4	9.4	2.8	4.2	221 110 013
083-1	1/2" x 3/16"	20	15	5	10.8	2.3	3.8	221 110 014
g=12,8mm	1/2" x 1/4"	25	15	5	12.8	3.5	5.0	221 110 015
08B-1	1/2" x 5/16"	25	15	5	12.8	3.5	5.0	221 110 017
-	5/8" x 1/4"	25	15	6	15.4	3.6	5.2	221 110 016
085-1	1/2 x 1/4"	20	15	5	11.8	3.2	4.7	221 110 018
10B-1	5/8" x 3/8"	25	15	6	15.4	3.6	5.0	221 110 019
12B-1	3/4" x 7/16"	25	20	7	17.0	3.9	5.7	221 110 020
16B-1	1" x 17 mm	33	25	10	24.0	8.4	10.6	221 110 021
20B-1	1 1/4" x 3/4"	55	25	11	28.0	10.0	12.2	221 110 022
24B-1	1 1/2" x 1"	60	30	16	36.6	13.0	16.0	221 110 023
28B-1	1 3/4" x 31 mm	65	30	17	40.0	16.0	18.0	221 110 024
32B-1	2" x 31 mm	70	30	20	44.6	16.0	20.0	221 110 025


Dimensions in mm · Separate ASA/JIS product catalogue available.



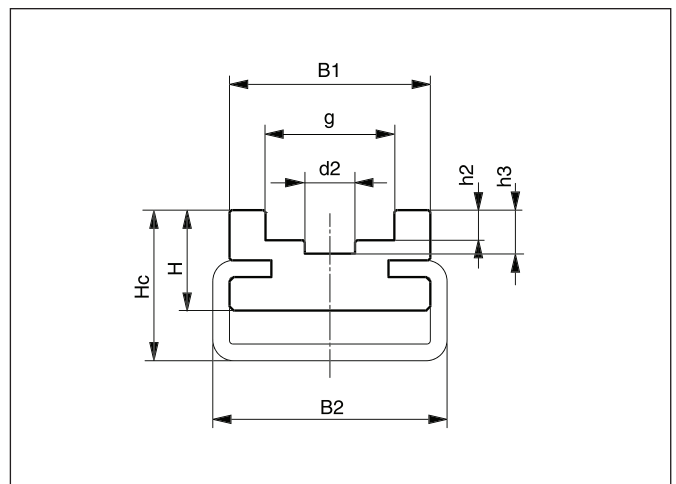


TYPE CU



DIN8187 chain no.	Chain dimensions in inches	C profile type 	B1	B2	H	Hc	d2	g	h2	h3	Article no.
-	3/8" x 5/32"		20		14	17	4	9.4	2.8	4.2	221 310 011
		C3		20							351 020 003
06B-1	3/8" x 7/32"		20		14	17	4	9.4	2.8	4.2	221 310 013
		C3		20							351 020 003
083-1	1/2" x 3/16"		20		14	17	5	10.8	2.3	3.8	221 310 015
		C3		20							351 020 003
085-1	1/2" x 1/4"		28		14	18	5	11.8	3.2	4.7	221 310 017
		C5		28							351 020 005
g=12,8mm	1/2" x 1/4"		28		14	18	5	12.8	3.5	5.0	221 310 019
		C5		28							351 020 005
08B-1	1/2" x 5/16"		20		10	11	5	12.8	3.5	5.0	221 310 012
		C1		24							351 020 001
-	5/8" x 1/4"		24		12	18	6	15.4	3.6	5.2	221 310 021
		C5		28							351 020 005
10B-1	5/8" x 3/8"		24		12	18	6	15.4	3.6	5.0	221 310 014
		C5		28							351 020 005
12B-1	3/4" x 7/16"		24		12	18	7	17.0	3.9	5.7	221 310 016
		C5		28							351 020 005
16B-1	1" x 17 mm		33		20	30	10	24.0	8.4	10.6	221 310 018
		C9		38							351 020 009
20B-1	1 1/4" x 3/4"		60		25	35	11	28.0	10.0	12.2	221 310 020
		C12		60							351 020 012
24B-1	1 1/2" x 1"		60		30	40	16	36.6	13.0	16.0	221 310 022
		C12		60							351 020 012
28B-1	1 3/4" x 31 mm		65		38	45	17	40.0	16.0	18.0	221 310 023
		C12		60							351 020 012
32B-1	2" x 31 mm		70		38	45	20	44.6	16.0	20.0	221 310 024
		C12		60							351 020 012

Dimensions in mm · Separate ASA/JIS product catalogue available.



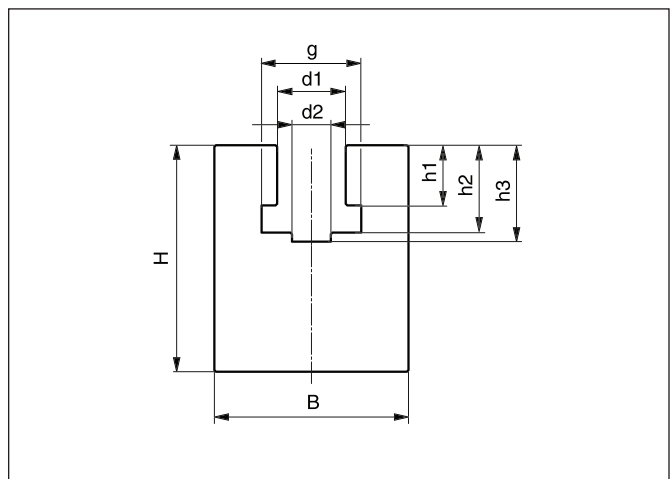
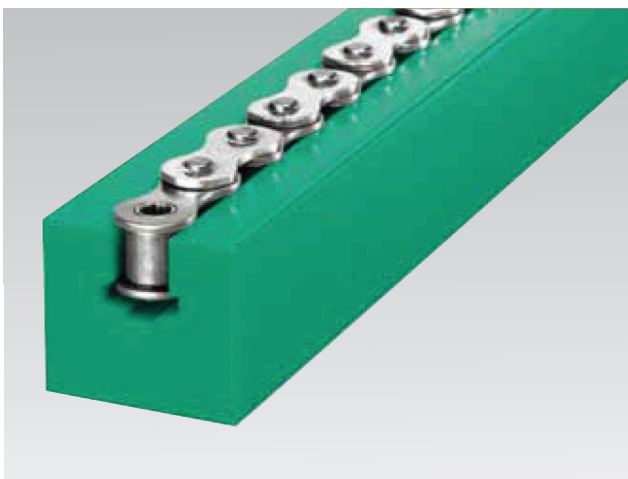


TYPE K



DIN8187 chain no.	Chain dimensions in inches	B	H	d1	d2	g	h1	h2	h3	Article no.
-	3/8" x 5/32"	20	25	6.6	4	9.4	3.6	7.0	8.0	221 110 026
06B-1	3/8" x 7/32"	20	25	6.6	4	9.4	5.5	8.9	10.0	221 110 027
083-1	1/2" x 3/16"	20	25	8.0	5	10.8	4.5	8.0	9.5	221 110 028
085-1	1/2" x 1/4"	24	30	8.0	5	11.8	6.2	9.8	11.3	221 110 029
g=12,8mm	1/2" x 1/4"	24	30	8.8	5	12.8	6.2	10.2	11.7	221 110 030
08B-1	1/2" x 5/16"	24	30	8.9	5	12.8	7.4	11.5	13.0	221 110 031
-	5/8" x 1/4"	30	30	10.6	6	15.4	6.2	10.2	11.6	221 110 032
10B-1	5/8" x 3/8"	30	35	10.6	6	15.4	9.3	13.5	14.9	221 110 033
12B-1	3/4" x 7/16"	40	35	12.4	7	17.0	11.3	15.9	17.5	221 110 034
16B-1	1" x 17 mm	40	45	16.4	10	24.0	16.0	25.7	27.7	221 110 035
20B-1	1 1/4" x 3/4"	50	50	20.0	11	28.0	18.0	29.5	31.7	221 110 036
24B-1	1 1/2" x 1"	60	60	27.0	16	36.6	24.0	38.2	41.2	221 110 037
28B-1	1 3/4" x 31 mm	60	70	30.0	17	41.0	30.0	47.0	49.0	221 110 038
32B-1	2" x 31 mm	70	75	31.0	19	44.6	30.0	47.3	50.0	221 110 039


Dimensions in mm · Separate ASA/JIS product catalogue available.



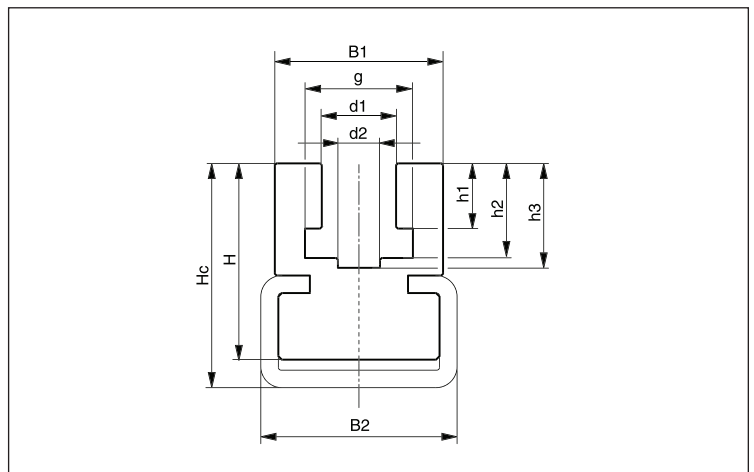


TYPE CK



DIN8187 chain no.	Chain dimensions in inches	C profile type 	B1	B2	H	Hc	d1	d2	g	h1	h2	h3	Article no.
-	3/8" x 5/32"		20		18	21	6.6	4	9.4	3.6	7.0	8.0	221 310 025
		C3		20									351 020 003
06B-1	3/8" x 7/32"		20		18	21	6.6	4	9.4	5.5	8.9	10.0	221 310 026
		C3		20									351 020 003
083-1	1/2" x 3/16"		20		18	21	8.0	5	10.8	4.5	8.0	9.5	221 310 027
		C3		20									351 020 003
085-1	1/2" x 1/4"		24		28	32	8.0	5	11.8	6.2	9.8	11.3	221 310 028
		C7		28									351 020 007
g=12,8mm	1/2" x 1/4"		24		28	32	8.8	5	12.8	6.2	10.2	11.7	221 310 029
		C7		28									351 020 007
08B-1	1/2" x 5/16"		24		28	32	8.9	5	12.8	7.4	11.5	13.0	221 310 030
		C7		28									351 020 007
-	5/8" x 1/4"		24		28	32	10.6	6	15.4	6.2	10.2	11.6	221 310 031
		C7		28									351 020 007
10B-1	5/8" x 3/8"		24		28	32	10.6	6	15.4	9.3	13.5	14.9	221 310 032
		C7		28									351 020 007
12B-1	3/4" x 7/16"		32		35	43	12.4	7	17.0	11.3	15.9	17.5	221 310 033
		C9		38									351 020 009
16B-1	1" x 17 mm		40		45	50	16.4	10	24.0	16.0	25.7	27.7	221 310 034
		C9		38									351 020 009
20B-1	1 1/4" x 3/4"		60		50	55	20.0	11	28.0	18.0	29.5	31.7	221 310 035
		C12		60									351 020 012
24B-1	1 1/2" x 1"		60		60	65	27.0	16	36.6	24.0	38.2	41.2	221 310 036
		C12		60									351 020 012
28B-1	1 3/4" x 31 mm		70		75	80	30.0	17	40.0	30.0	47.0	49.0	221 310 037
		C12		60									351 020 012
32B-1	2" x 31 mm		70		75	80	31.0	19	44.6	30.0	47.3	50.0	221 310 038
		C12		60									351 020 012


Dimensions in mm - Separate ASA/JIS product catalogue available.



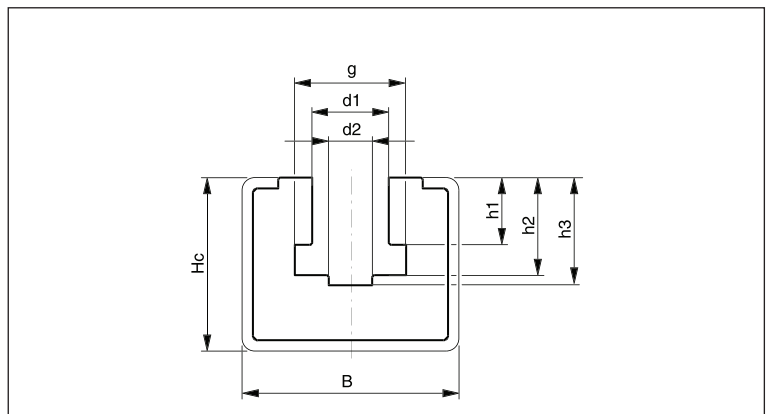


TYPE CKG



DIN 8187 chain no.	Chain dimensions in inches	C profile type 	B	Hc	d1	d2	g	h1	h2	h3	Article no.
-	3/8" x 5/32"	C10	30	24	6.6	4	9.4	3.6	7.0	8.0	221 410 001
											351 020 010
06B-1	3/8" x 7/32"	C10	30	24	6.6	4	9.4	5.5	8.9	10.0	221 410 002
											351 020 010
083-1	1/2" x 3/16"	C10	30	24	8.0	5	10.8	4.5	8.0	9.5	221 410 003
											351 020 010
085-1	1/2" x 1/4"	C10	30	24	8.0	5	11.8	6.2	9.8	11.3	221 410 020
											351 020 010
g=12,8mm	1/2" x 1/4"	C10	30	24	8.8	5	12.8	6.2	10.2	11.7	221 410 021
											351 020 010
08B-1	1/2" x 5/16"	C10	30	24	8.9	5	12.8	7.4	11.5	13.0	221 410 004
											351 020 010
-	5/8" x 1/4"	C10	30	24	10.6	6	15.4	6.2	10.2	11.6	221 410 022
											351 020 010
10B-1	5/8" x 3/8"	C10	30	24	10.6	6	15.4	9.3	13.5	14.9	221 410 005
											351 020 010
12B-1	3/4" x 7/16"	C10	30	24	12.4	7	17.0	11.3	15.9	17.5	221 410 006
											351 020 010
16B-1	1" x 17 mm	C11	45	40	16.4	10	24.0	16.0	25.7	27.7	221 410 007
											351 020 011
20B-1	1 1/4" x 3/4"	C11	45	40	20.0	11	28.0	18.0	29.5	31.7	221 410 008
											351 020 011
24B-1	1 1/2" x 1"	C13	65	55	27.0	16	36.6	24.0	38.2	41.2	221 410 009
											351 020 013
28B-1	1 3/4" x 31 mm	C13	65	60	30.0	17	41.0	30.0	47.0	49.0	221 410 010
											351 020 013
32B-1	2" x 31 mm	C13	65	60	31.0	19	44.6	30.0	47.3	50.0	221 410 011
											351 020 013


Dimensions in mm - Separate ASA/JIS product catalogue available.



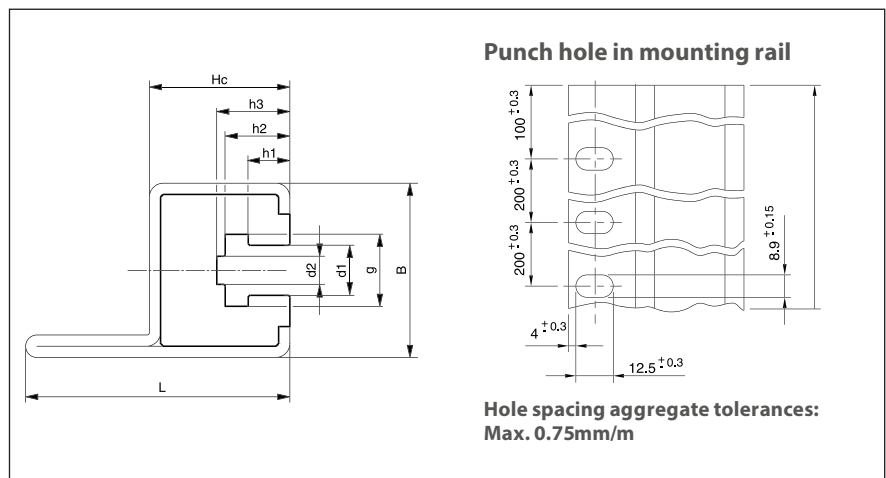


TYPE CKG 14H



DIN8187 chain no.	Chain dimensions in inches	C profile type 	B	Hc	L	d1	d2	g	h1	h2	h3	Article no.
-	3/8" x 5/32"	C14H	31	25	47	6.6	4	9.4	3.6	7.0	8.0	221 410 001
												351 020 014
06B-1	3/8" x 7/32"	C14H	31	25	47	6.6	4	9.4	5.5	8.9	10.0	221 410 002
												351 020 014
083-1	1/2" x 3/16"	C14H	31	25	47	8.0	5	10.8	4.5	8.0	9.5	221 410 003
												351 020 014
085-1	1/2" x 1/4"	C14H	31	25	47	8.0	5	11.8	6.2	9.8	11.3	221 410 020
												351 020 014
g=12,8mm	1/2" x 1/4"	C14H	31	25	47	8.8	5	12.8	6.2	10.2	11.7	221 410 021
												351 020 014
08B-1	1/2" x 5/16"	C14H	31	25	47	8.9	5	12.8	7.4	11.5	13.0	221 410 004
												351 020 014
-	5/8" x 1/4"	C14H	31	25	47	10.6	6	15.4	6.2	10.2	11.6	221 410 022
												351 020 014
10B-1	5/8" x 3/8"	C14H	31	25	47	10.6	6	15.4	9.3	13.5	14.9	221 410 005
												351 020 014
12B-1	3/4" x 7/16"	C14H	31	25	47	12.4	7	17.0	11.3	15.9	17.5	221 410 006
												351 020 014

Dimensions in mm · Separate ASA/JIS product catalogue available.



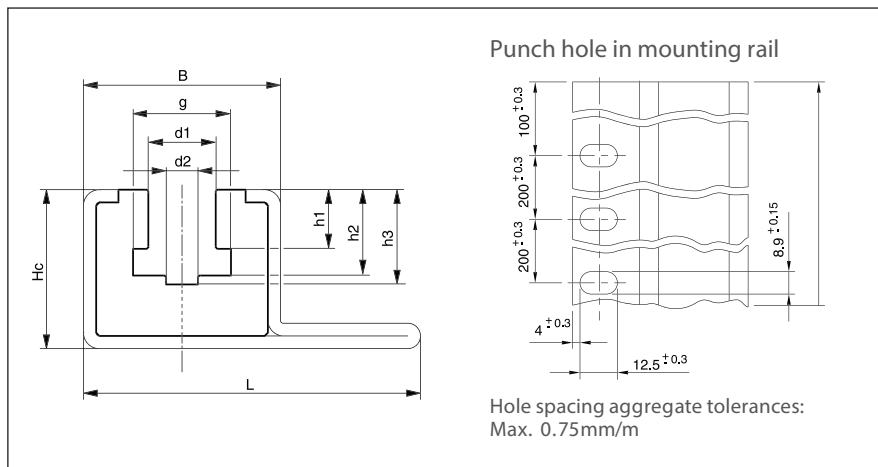


TYPE CKG 15V



DIN18187 chain no.	Chain dimensions in inches	C profile type	B	Hc	L	d1	d2	g	h1	h2	h3	Article no.
-	3/8" x 5/32"	C15V	31	25	53	6.6	4	9.4	3.6	7.0	8.0	221 410 001 351 020 015
06B-1	3/8" x 7/32"	C15V	31	25	53	6.6	4	9.4	5.5	8.9	10.0	221 410 002 351 020 015
083-1	1/2" x 3/16"	C15V	31	25	53	8.0	5	10.8	4.5	8.0	9.5	221 410 003 351 020 015
085-1	1/2" x 1/4"	C15V	31	25	53	8.0	5	11.8	6.2	9.8	11.3	221 410 020 351 020 015
g=12,8mm	1/2" x 1/4"	C15V	31	25	53	8.8	5	12.8	6.2	10.2	11.7	221 410 021 351 020 015
08B-1	1/2" x 5/16"	C15V	31	25	53	8.9	5	12.8	7.4	11.5	13.0	221 410 004 351 020 015
-	5/8" x 1/4"	C15V	31	25	53	10.6	6	15.4	6.2	10.2	11.6	221 410 022 351 020 015
10B-1	5/8" x 3/8"	C15V	31	25	53	10.6	6	15.4	9.3	13.5	14.9	221 410 005 351 020 015
12B-1	3/4" x 7/16"	C15V	31	25	53	12.4	7	17.0	11.3	15.9	17.5	221 410 006 351 020 015

Dimensions in mm · Separate ASA/JIS product catalogue available.





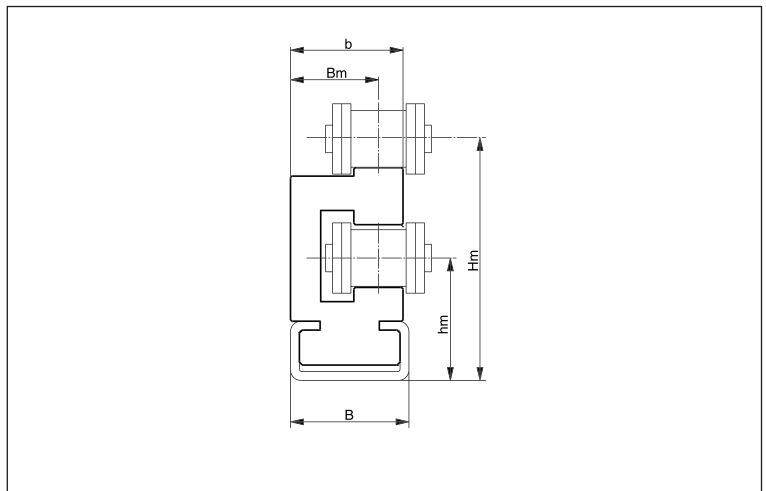
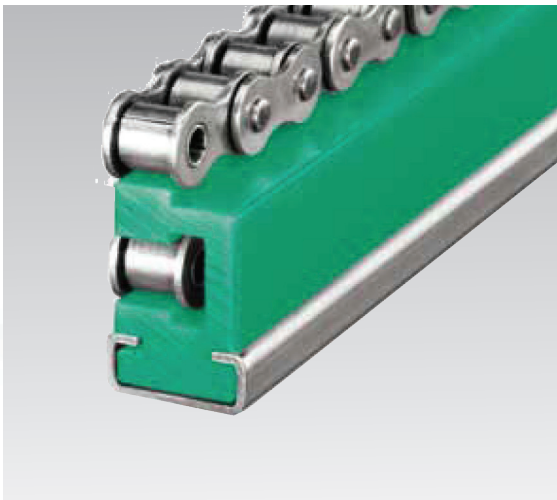
Double-Decker Guides for Roller Chains as per DIN8187

TYPE ETA



DIN8187 chain no.	Chain dimensions in inches	C profile type	B	Hm	b	Bm	hm	Article no.
06B-1	3/8" x 7/32"	C3	20	30.2	17	14.5	17	221 310 039 351 020 003
08B-1	1/2" x 5/16"	C3	20	33.8	20	16.5	18	221 310 040 351 020 003
10B-1	5/8" x 3/8"	C3	20	41.1	20	15.5	21	221 310 041 351 020 003
12B-1	3/4" x 7/16"	C5	28	46.5	24	18.5	24	221 310 042 351 020 005
16B-1	1" x 17 mm	C9	38	62.0	33	25.0	34	221 310 043 351 020 009

Dimensions in mm - Separate ASA/JIS product catalogue available.





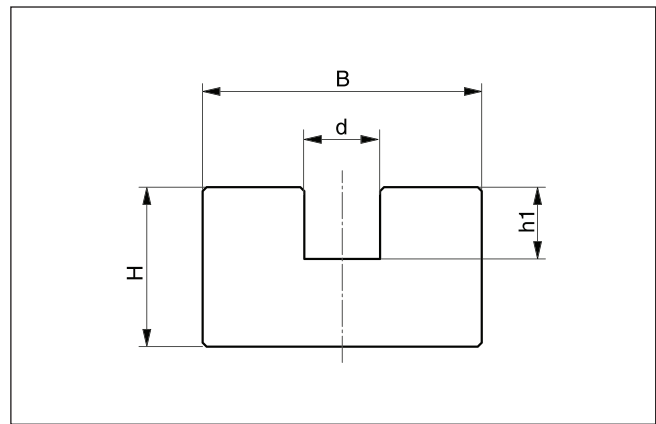
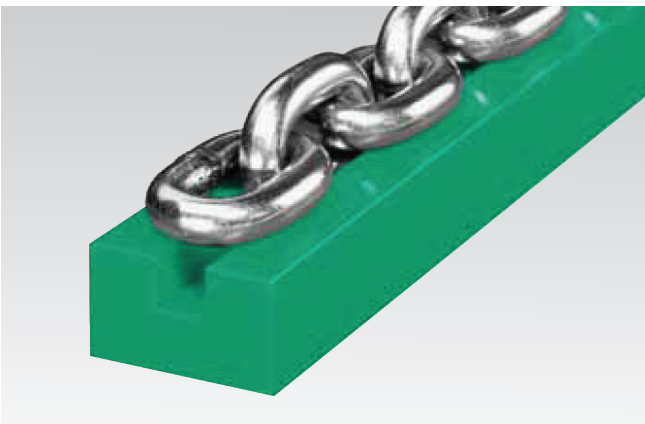
Chain guides for round link chains as per DIN 766/764

TYPE R



Nominal thickness d, DIN 766/764	B	H	d	h1	Article no.
6	30	15	7.0	7	231 010 001
8	38	20	9.0	9	231 010 002
10	45	25	11.5	11	231 010 003
13	55	30	15.0	15	231 010 004

Dimensions in mm

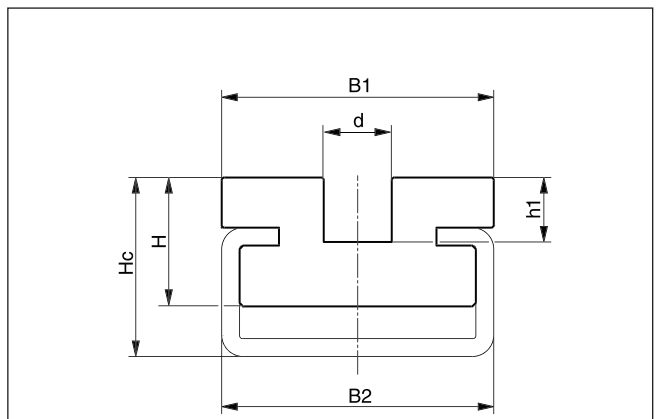


TYPE CRU



Nominal thickness d, DIN 766/764	C profile type	B1	B2	H	Hc	d	h1	Article no.
6	C5	30		14	18	7.0	7	231 110 005
			28					351 020 005
8	C9	38		18	25	9.5	9	231 110 006
			38					351 020 009
10	C9	45		18	28	11.5	11	231 110 007
			38					351 020 009
13	C12	60		25	33	15.0	15	231 110 008
			60					351 020 012

Dimensions in mm For round link chains that do not comply with DIN 766 or DIN 764 please specify dimensions.



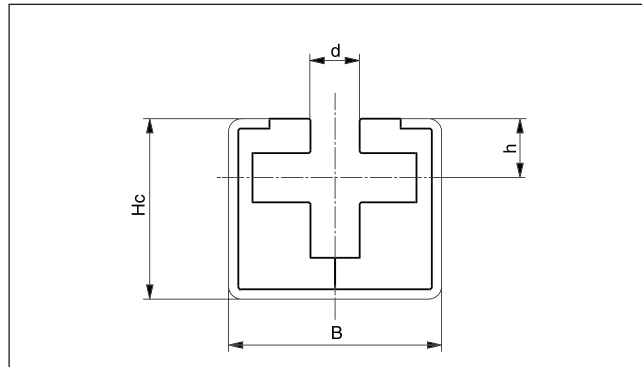
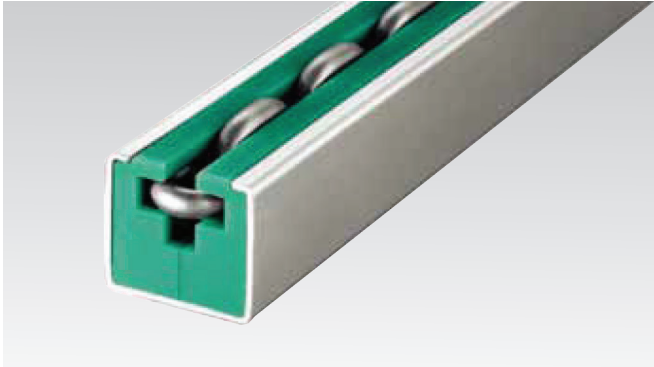


TYPE CRG



Nominal thickness d, DIN 766/764	C profile type	B	Hc	d	h	Article no.
6			40	7.0	8.0	231 110 009
	C11	45				351 020 011
8			40	9.5	9.5	231 110 010
	C11	45				351 020 011
10			55	11.5	14.0	231 110 011
	C13	65				351 020 013
13			55	15.0	18.0	231 110 012
	C13	65				351 020 013

Dimensions in mm

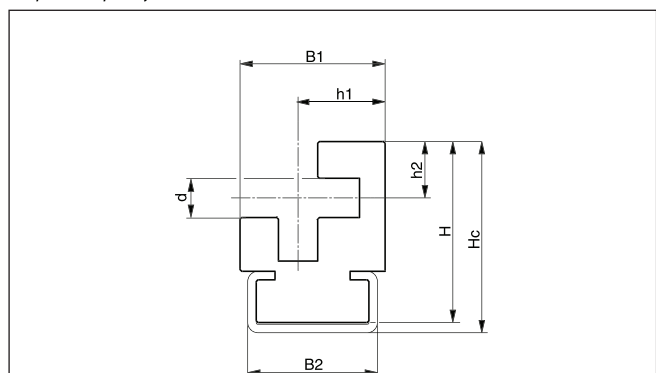
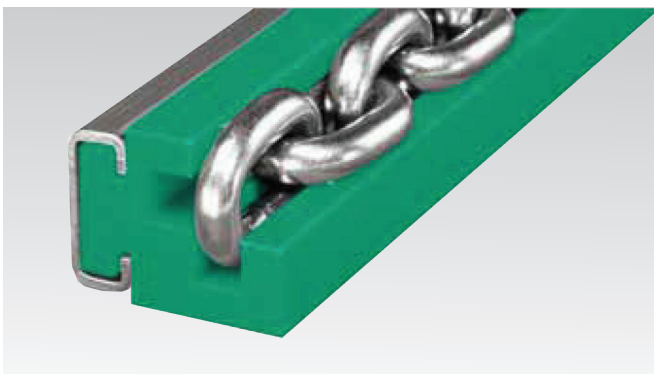


TYPE CRO



Nominal thickness d, DIN 766/764	C profile type	B1	B2	H	Hc	d	h1	h2	Article no.
6		27.0		32	34	7.0	17.5	10.5	231 110 001
	C3		20						351 020 003
8		32.0		39	42	9.5	20.5	12.5	231 110 002
	C5		28						351 020 005
10		42.5		53	56	11.5	25.5	16.5	231 110 003
	C9		38						351 020 009
13		60.0		67	70	15.0	33.5	20.5	231 110 004
	C12		60						351 020 012

Dimensions in mm For round link chains that do not comply with DIN 766 or DIN 764 please specify dimensions.



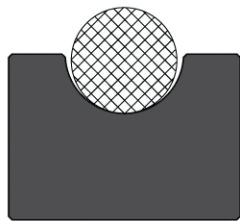
OVERVIEW OF BELT GUIDES

Plastic instead of metal

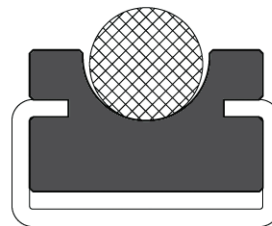
Belt guides made of metal cause a great deal of friction on the belts. By choosing a belt guide made of Material "S"[®] Black Antistatic, you considerably reduce this wear. In addition, you

save on drive energy thanks to the reduced static friction. Material "S"[®] Black Antistatic is suitable for use for round belts, V-belts, tooth belts and tracked tooth belts.

For round belts

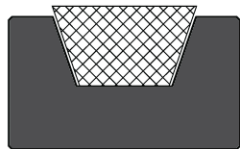


Type RR - p.121

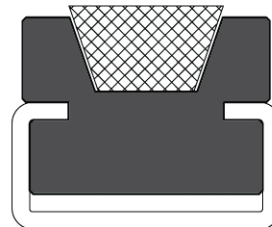


Type RRC - p.121

For V-belts as per DIN 2215



Type KR - p.122

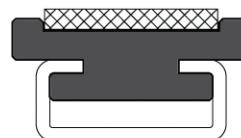


Type KRC - p.123

For tooth belts

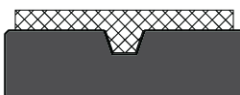


Type FR - p.124

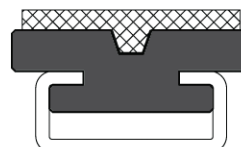


Type FRC - p.124

For tracked tooth belts



Type FK - p.125



Type FKC - p.125

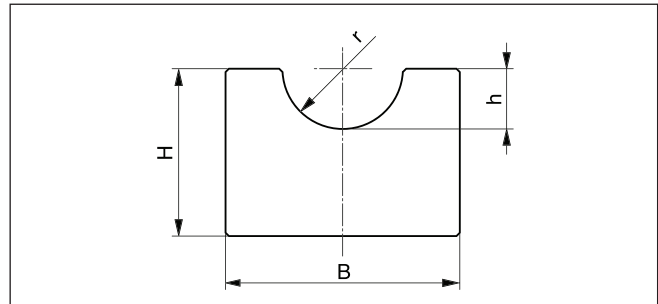
Guides for Round Belts

TYPE RR



Belt type / Ø	B	H	h	r	Article no.
5.0	20	10	3	3	231 010 027
6.3	20	10	4	4	231 010 028
8.0	20	12	5	5	231 010 029
9.5	25	15	6	6	231 010 030
12.5	28	20	8	7	231 010 031
15.0	33	25	10	9	231 010 032
18.0	38	25	12	10	231 010 033

Dimensions in mm

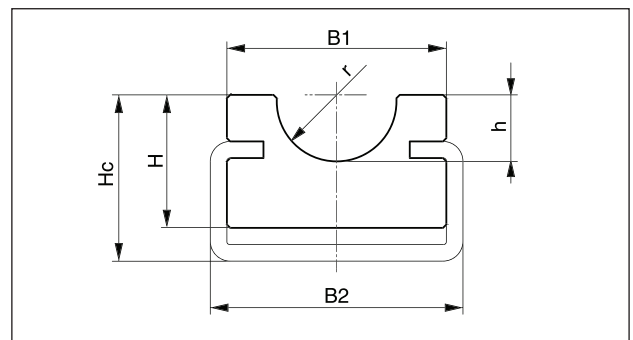


TYPE RRC



Belt type / Ø	C profile type	B1	B2	H	Hc	h	r	Article no.
5.0		20		10	15	3	3	231 110 035
	C3		20					351 020 003
6.3		20		15	18	4	4	231 110 036
	C3		20					351 020 003
8.0		20		15	18	5	5	231 110 037
	C3		20					351 020 003
9.5		25		15	20	6	6	231 110 038
	C5		28					351 020 005
12.5		28		15	20	8	7	231 110 039
	C5		28					351 020 005
15.0		33		20	25	10	9	231 110 040
	C9		38					351 020 009
18.0		38		20	25	12	10	231 110 041
	C9		38					351 020 009

Dimensions in mm





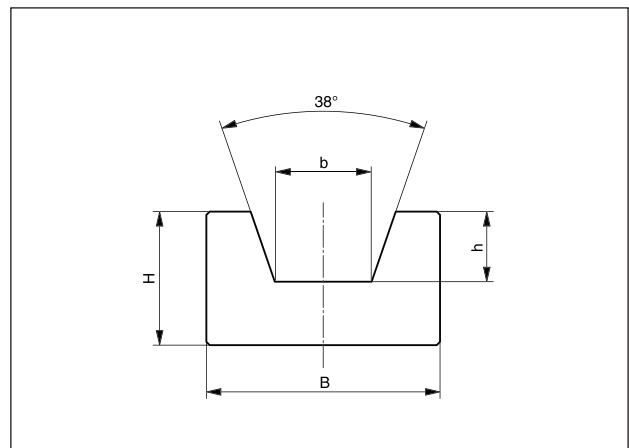
Guides for V-belts as per DIN2215

TYPE KR



Belt type/ b x h	B	H	b	h	Article no.
8 x 5	20	10	6.0	3.5	231 010 005
10 x 6	20	10	7.2	4.5	231 010 006
13 x 8	20	12	9.2	6.0	231 010 007
17 x 11	30	15	11.5	8.0	231 010 008
20 x 12.5	30	20	13.5	9.0	231 010 009
22 x 14	35	20	14.5	10.5	231 010 010
25 x 16	40	25	16.5	12.0	231 010 011
32 x 20	50	30	21.0	16.0	231 010 012
40 x 25	60	35	26.0	21.0	231 010 013

Dimensions in mm



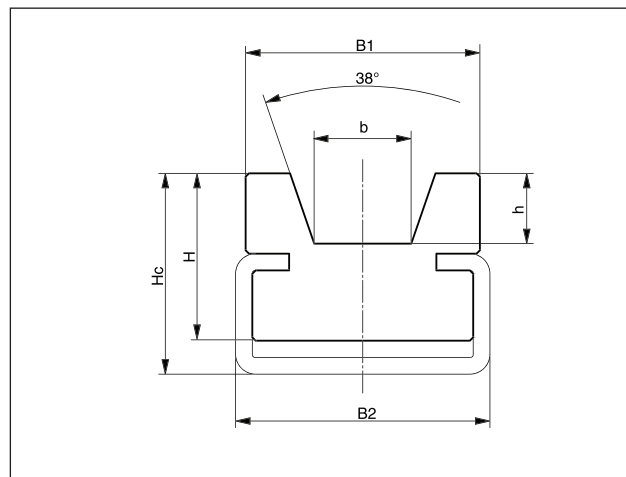


TYPE KRC



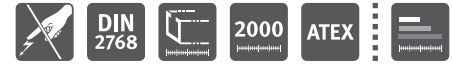
Belt type/b x h	C profile type	B1	B2	H	Hc	b	h	Article no.
8 x 5		20		10	15	6.0	3.5	231 110 013
	C3		20					351 020 003
10 x 6		20		15	18	7.2	4.5	231 110 014
	C3		20					351 020 003
13 x 8		25		18	22	9.2	6.0	231 110 015
	C5		28					351 020 005
17 x 11		30		18	24	11.5	8.0	231 110 016
	C5		28					351 020 005
20 x 12.5		30		18	24	13.5	9.0	231 110 017
	C5		28					351 020 005
22 x 14		35		25	30	14.5	10.5	231 110 018
	C9		38					351 020 009
25 x 16		40		25	32	16.5	12.0	231 110 019
	C9		38					351 020 009
32 x 20		60		35	40	21.0	16.0	231 110 020
	C12		60					351 020 012
40 x 25		60		35	40	26.0	21.0	231 110 021
	C12		60					351 020 012

Dimensions in mm



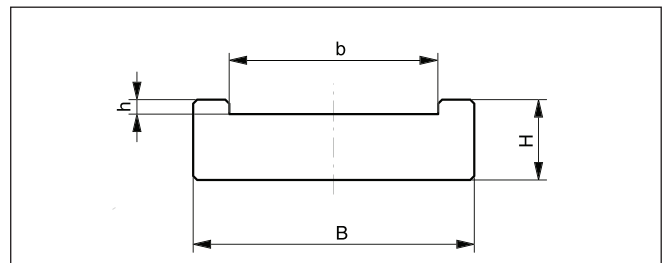
Guides for tooth belts

TYPE FR



Belt type	B	H	b	h	Article no.
25/T5	35	10	26	1.8	231 010 014
32/T5	45	12	33	1.8	231 010 015
25/T10	35	12	26	3.8	231 010 016
32/T10	45	12	33	3.8	231 010 017
50/T10	65	15	51	3.8	231 010 018
75/T10	90	15	76	3.8	231 010 019
100/T10	115	18	101	3.8	231 010 020

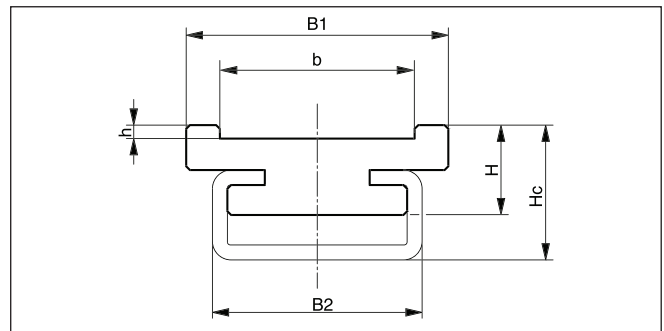
Dimensions in mm



TYPE FRC

Belt type	C profile type	B1	B2	H	Hc	b	h	Article no.
25/T5		35		12	18	26	1.8	231 110 022
	C5		28					351 020 005
32/T5		45		12	18	33	1.8	231 110 023
	C5		28					351 020 005
25/T10		35		15	20	26	3.8	231 110 024
	C5		28					351 020 005
32/T10		45		15	20	33	3.8	231 110 025
	C5		28					351 020 005
50/T10		65		18	20	51	3.8	231 110 026
	C4		50					351 020 004
75/T10		90		18	20	76	3.8	231 110 027
	C6		80					351 020 006
100/T10		115		18	20	101	3.8	231 110 028
	C6		80					351 020 006

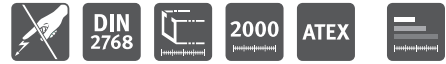
Dimensions in mm





Guides for tracked tooth belts

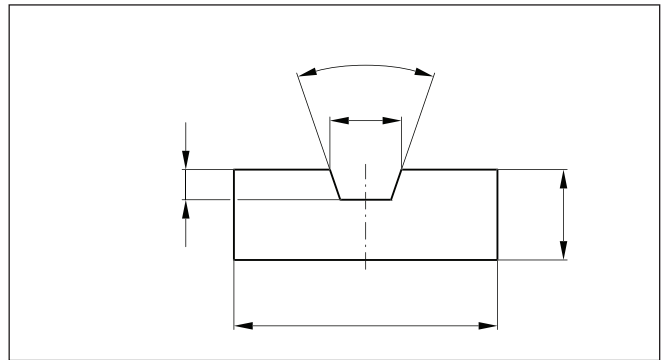
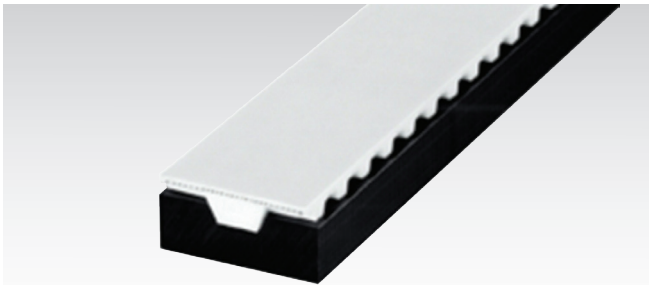
TYPE FK



Belt type	B	H	b	h	Article no.
25/TK5	28	10	6.0	3.5	231 010 021
32/TK5	35	10	6.0	3.5	231 010 022
32/TK10*	35	12	9.5	4.0	231 010 023
50/TK10*	55	12	9.5	4.0	231 010 024
75/TK10	80	15	13.0	5.0	231 010 025
100/TK 10	105	15	13.0	5.0	231 010 026

Dimensions in mm

* Standard for V-profile 10 x6; specify any deviations!



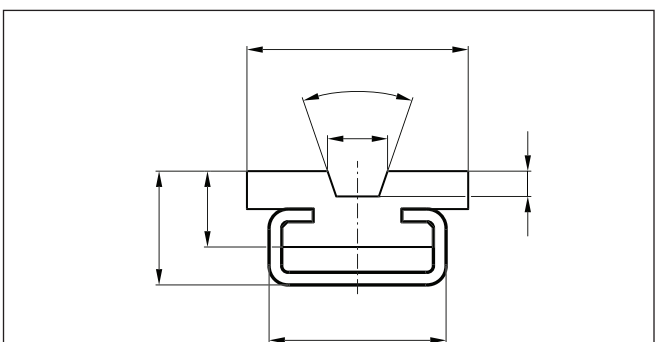
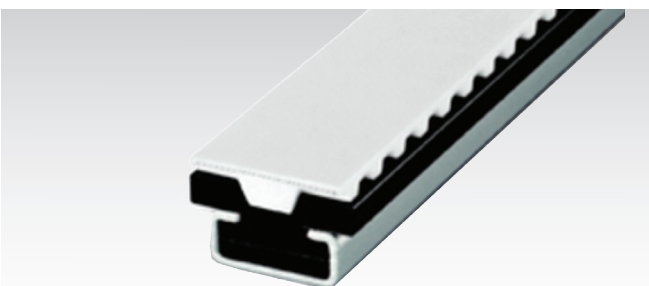
TYPE FKC



Belt type	C profile type	B1	B2	H	Hc	b	h	Article no.
25/TK 5		28		12	18	6.0	3.5	231 110 029
	C5		28					351 020 005
32/TK 5		35		12	18	6.0	3.5	231 110 030
	C5		28					351 020 005
32/TK10*		35		12	18	9.5	4.0	231 110 031
	C5		28					351 020 005
50/TK10*		55		15	18	9.5	4.0	231 110 032
	C4		50					351 020 004
75/TK10		80		15	18	13.0	5.0	231 110 033
	C6		80					351 020 006
100/TK10		105		15	18	13.0	5.0	231 110 034
	C6		80					351 020 006

Dimensions in mm

* Standard for V-profile 10 x6; specify any deviations!



RAIL GUIDES

As insertion and clip profiles

Here, we present a small selection of our wide range of profiles for exemplary purposes. For our full range, see www.murtefeldt.com.

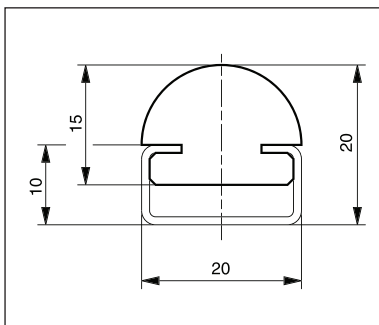


Rail profile	Delivery for	Delivery length in m	Production method	Original Material "S"	Article no.
	profile	2000	milled	green	211 210 001
	C3	2000			351 020 003
Mushroom profile	profile	2000	milled	black antistatic	211 210 002
HR 2020	C3	2000			351 020 003
	profile	2000	extruded	green	211 210 003
	C3	2000			351 020 003

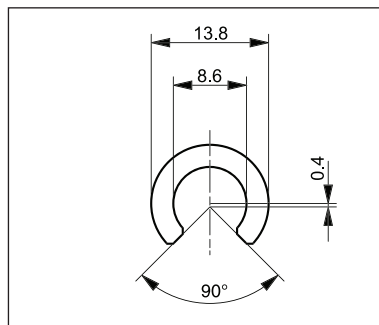
Dimensions in mm Extruded profiles made of Material "S" * Black are not antistatic.

* For milled profiles. Tolerances as per DIN 16941 for extruded profiles.

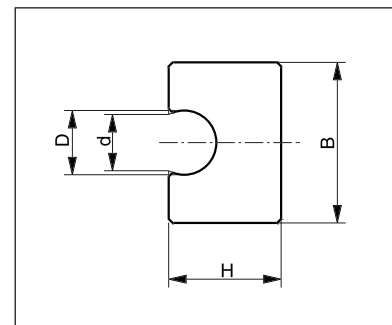
Mushroom profile HR 2020



Snap on 9.5



Square clip-on guides





BANDS



Murtfeldt plastic bands are ideally suited for transporting sensitive goods. They are available in three standard sizes. Intermediate and special dimensions are available on request.

We are happy to advise you on the correct choice of band. Please contact us.

Design

- Either in Original Material "S" Green or Original Material "S" Black Antistatic
- On request: Pre-treatment in the form of scraping and flaming on one side for later adhesion

Special designs

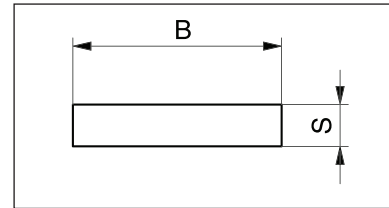
- 6, 8 and 10mm in widths of between 10 and 60mm

Applications

- Beverage, packaging, food, and frozen food sectors

Special properties

- Extremely good wear resistance
- High shock and impact resistance



Bands made from Original Material "S" *

Width (B) x thickness (S)	Article no.
15 x 3	171 010 007
18 x 3	171 010 008
20 x 3	171 010 009
22 x 3	171 010 010
25 x 3	171 010 011
30 x 3	171 010 012
35 x 3	171 010 013
40 x 3	171 010 014
45 x 3	171 010 016
50 x 3	171 010 017
60 x 3	171 010 019
70 x 3	171 010 020
80 x 3	171 010 021
90 x 3	171 010 023
100 x 3	171 010 024
111 x 3	171 010 025

Width (B) x thickness (S)	Article no.
20 x 4	171 010 026
25 x 4	171 010 027
30 x 4	171 010 028
40 x 4	171 010 030
50 x 4	171 010 032

Width (B) x thickness (S)	Article no.
15 x 5	171 010 034
18 x 5	171 010 035
20 x 5	171 010 036
22 x 5	171 010 037
25 x 5	171 010 038
30 x 5	171 010 039
35 x 5	171 010 040
40 x 5	171 010 041
45 x 5	171 010 042
50 x 5	171 010 043
60 x 5	171 010 044

* Tolerances: Thickness ± 0.1 / width ± 0.5 . Roll length on request



CHAIN AND BELT MONITORS

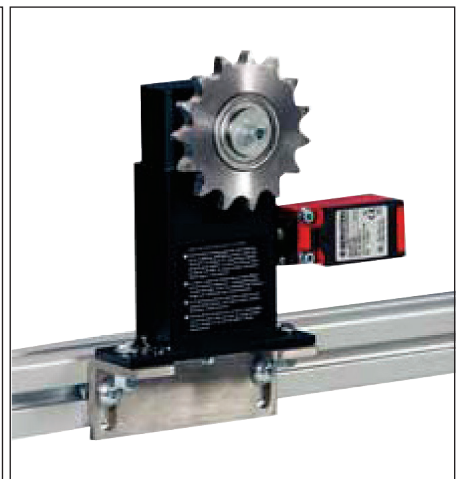
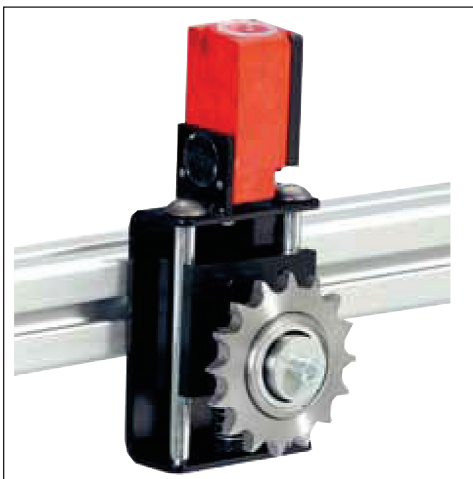
If a chain has excessive elongation or a break, critical damage can occur. Our chain and belt monitors track the production process and trigger the automatic shutdown of the machine if malfunctions occur. For this purpose, a mechanical limit switch or contact-free inductive switch is integrated into your chain or belt tensioner.

Both individual and reliable

Switch design requirements can vary greatly. Please contact us for more information. We will design the best solution for your requirements.

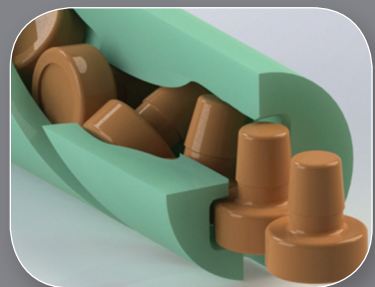
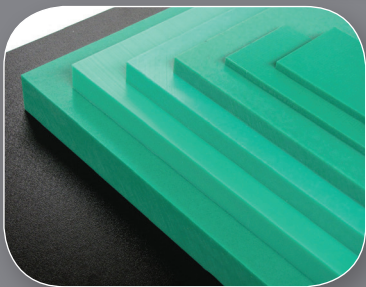
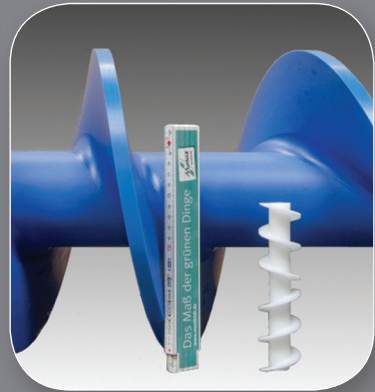
Inductive switches for Spann-Box®

Alternatively, a contact-free inductive switch can be used. This makes sense if there is a risk of explosion or contamination. Concerns about wear might also result in the use of an inductive switch. Inductive switches can be used for Spann-Box® size 1 and 2. Special models and designs in stainless steel are available on request.





View on products in our range





View on products in our range Special customer-made

(Please consult us with drawings and samples)

This publication is protected by copyright and may not be reproduced in whole or in part without the prior, written permission of the manufacturer.

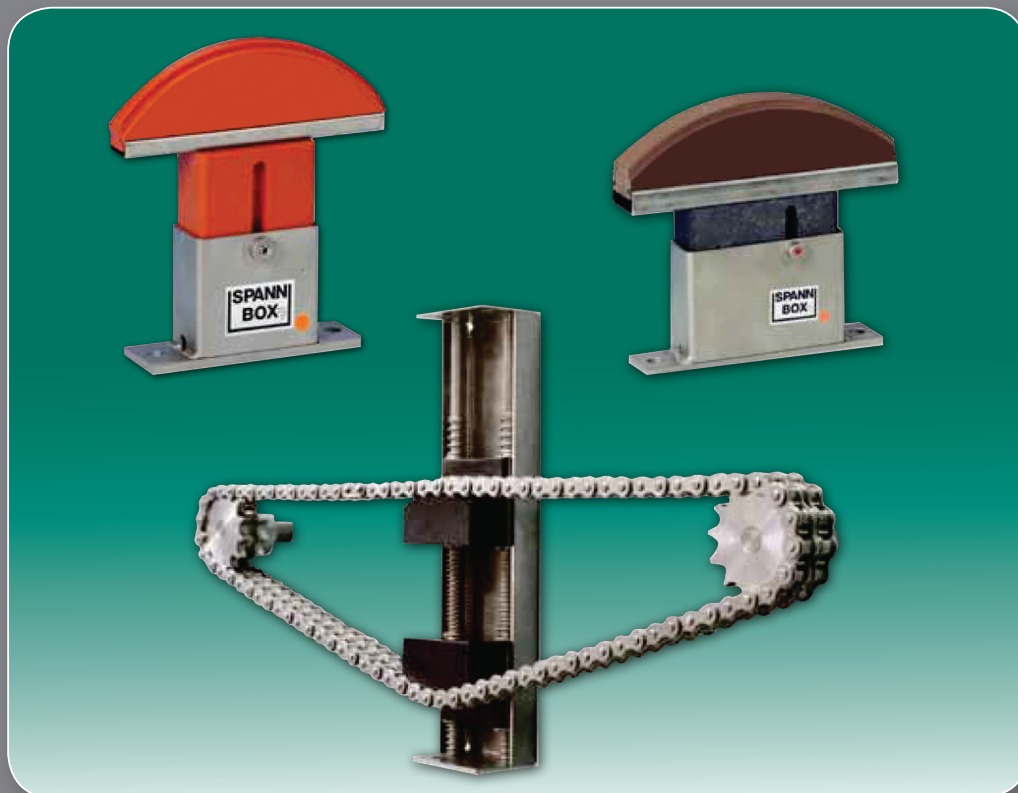
The technical specifications in this catalogue are subject to change without prior notice. We are not responsible for any printing errors or typing mistakes.

Vue sur les produits de notre gamme Fabrication spécifique clients

(Consultez-nous à base de plans et d'échantillons)

Cette publication est protégée par droit d'auteur et ne peut être reproduite en totalité ou partiellement, sans l'autorisation écrite préalable du fabricant.

Les spécifications techniques de ce catalogue, sont soumis à des changements, sans notification préalable. Nous ne sommes pas responsable pour des erreurs d'impression ou typographiques.





BOGAERT TRANSMISSION

Industriepark

Neringstraat 5 - 7

1840 Londerzeel (Belgium)

Tel. +32 (0) 52-750410

Fax +32 (0) 52-750460

bt@bogaert-transmission.com



GEHA INDUSTRIES

Division of Bogaert Transmission

Industriepark

Neringstraat 5 - 7

1840 Londerzeel (Belgium)

Tel. +32 (0) 52-750420

Fax +32 (0) 52-750470

geha@bogaert-transmission.com



BMCS / LEGENDRE CHAINS

Division of Bogaert Transmission

Industriepark

Neringstraat 5 - 7

1840 Londerzeel (Belgium)

Tel. +32 (0) 52-750430

Fax +32 (0) 52-750480

bmcs@bogaert-transmission.com



DENDERBELTING

Division of Bogaert Transmission

Industriepark

Neringstraat 5 - 7

1840 Londerzeel (Belgium)

Tel. +32 (0) 52-750435

Fax +32 (0) 52-750485

db@bogaert-transmission.com

